

MOUNTING PROCEDURE

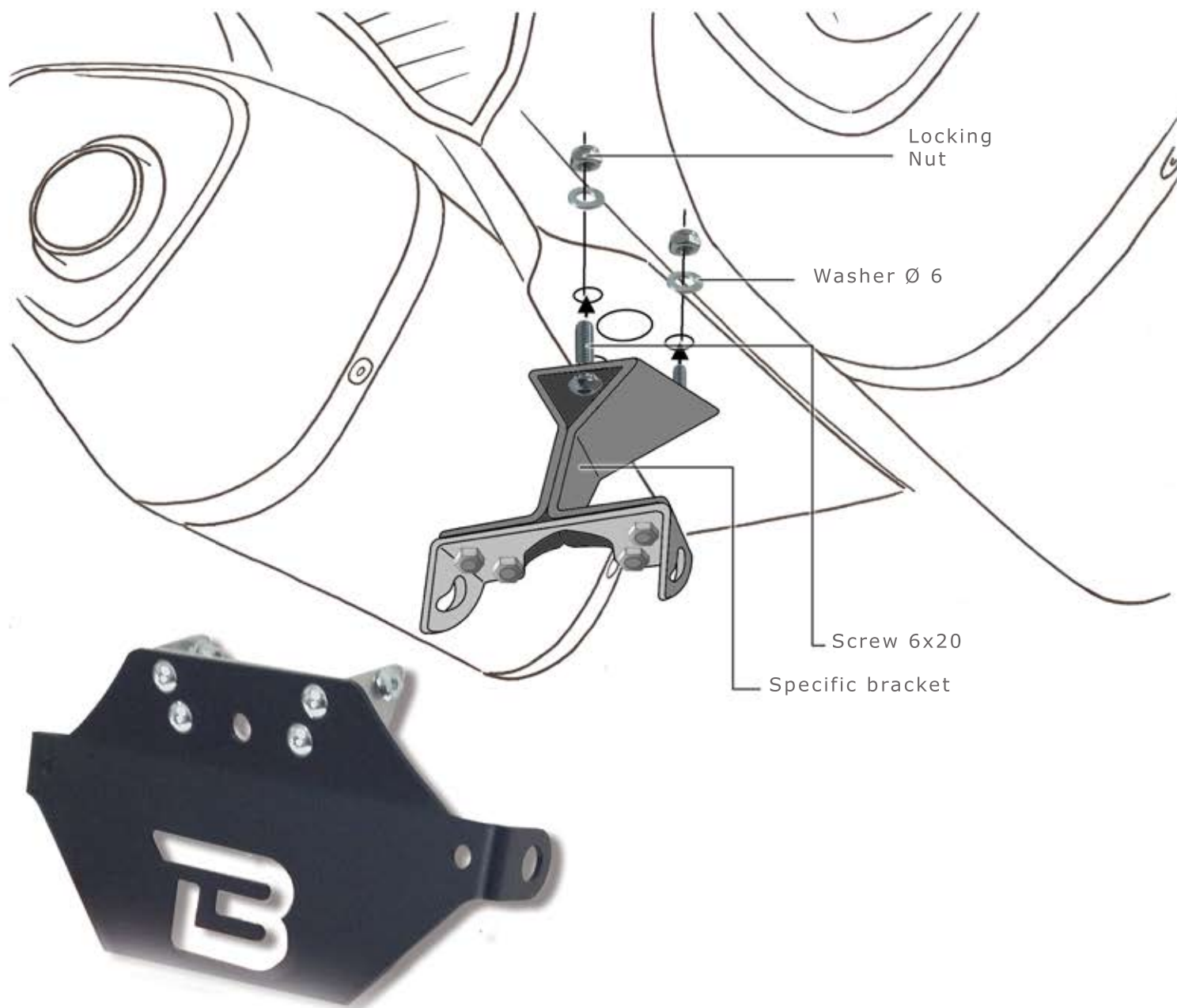
KIT LICENCE PLATE
YAMAHA YZF R1 '09

YP1104/09-BN

WWW.BARRACUDAMOTO.COM

KIT

X1. SPECIFIC BRACKET
X1. "X" LICENCE PLATE
X4. ROUND HEAD SCREW 6X20
X4. WASHER DIAMETER 6
X4. LOCKING NUT DIAMETER 6



REMOVE THE ORIGINAL LICENCE PLATE AND APPLY THE BARRACUDA LICENCE PLATE IN THE SAME HOLES USING THE THREE ROUND HEAD 6X20 SCREWS OUTSIDE AND FIXING WITH THE NUTS INSIDE. WHEN YOU HAVE POSITINED THE SPECIFIC BRACKET YOU CAN APPROACH THE LICENCE PLATE.

WE ADVISE AN INCLINATION NOT EXCEEDING TO 30° TO AVOID SANCTIONS AND POSSIBLE DAMAGES.