

ASSEMBLING INSTRUCTION

CRASH PAD

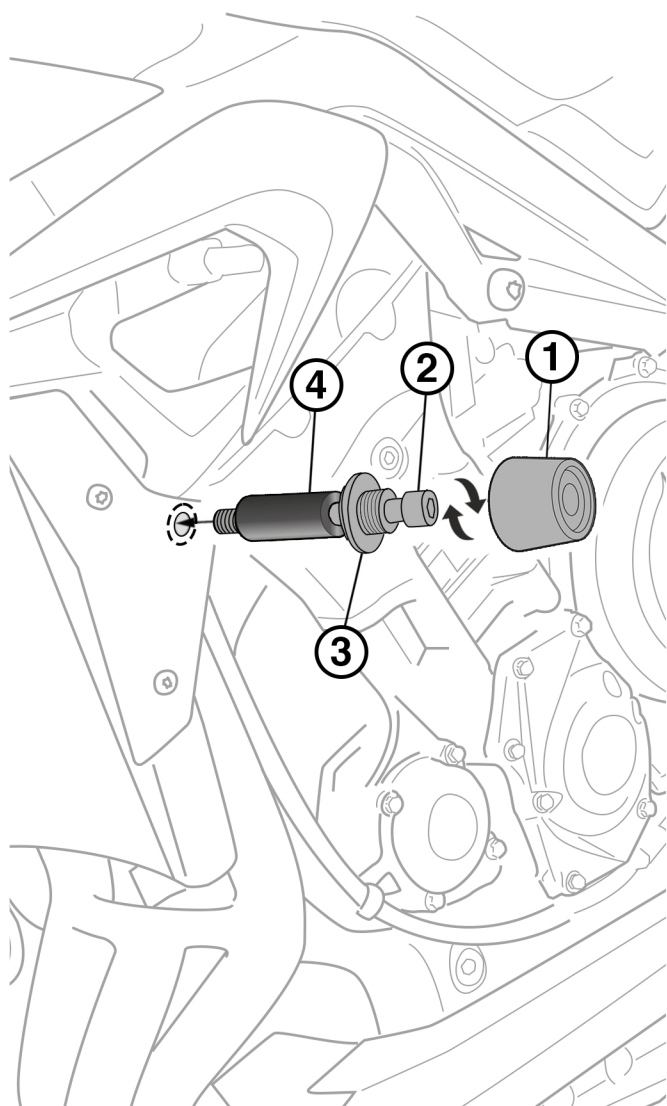
TS6101-13

WWW.BARRACUDAMOTO.COM

LEGEND

- | | | |
|---|---|---|
| 1. HEAD PAD
TESTA TAMPONE
TESTA DE TOPE
STURZPAD KOPF
TÊTE TAMPON | 3. BASE PAD
BASE TAMPONE
BASE DE TOPE
STURZPAD BASIS
BASE TAMPON | 5. SCREW M10X160
VITE M10X160
TORNILLO M10X160
SCHRAUBE M10X160
VIS M10X160 |
| 2. SCREW M10X180
VITE M10X180
TORNILLO M10X180
SCHRAUBE M10X180
VIS M10X180 | 4. SPECIFIC THICKNESS H90MM
SPESSORE SPECIFICO H90MM
ESPACIADOR H90MM
ABSTANDSHALTER H90MM
ESPACEUR H90MM | 6. SPECIFIC THICKNESS H70MM
SPESSORE SPECIFICO H70MM
ESPACIADOR H70MM
ABSTANDSHALTER H70MM
ESPACEUR H70MM |

LEFT SIDE



RIGHT SIDE

