

ASSEMBLING INSTRUCTION

LEGEND

WINDSHIELD KIT

BF9104-2-26

1. ALLEN SCREW M6X12
VITE A BRUGOLA M6X12
TORNILLO ALLEN M6X12
INBUSSCHRAUBE M6X12
VIS ALLEN M6X12

3. SPECIFIC BRACKETS
STAFFE SPECIFICHE
SOPORTES ESPECIFICOS
SPEZIELLE HALTERUNGEN
SUPPORTS SPECIFIQUES

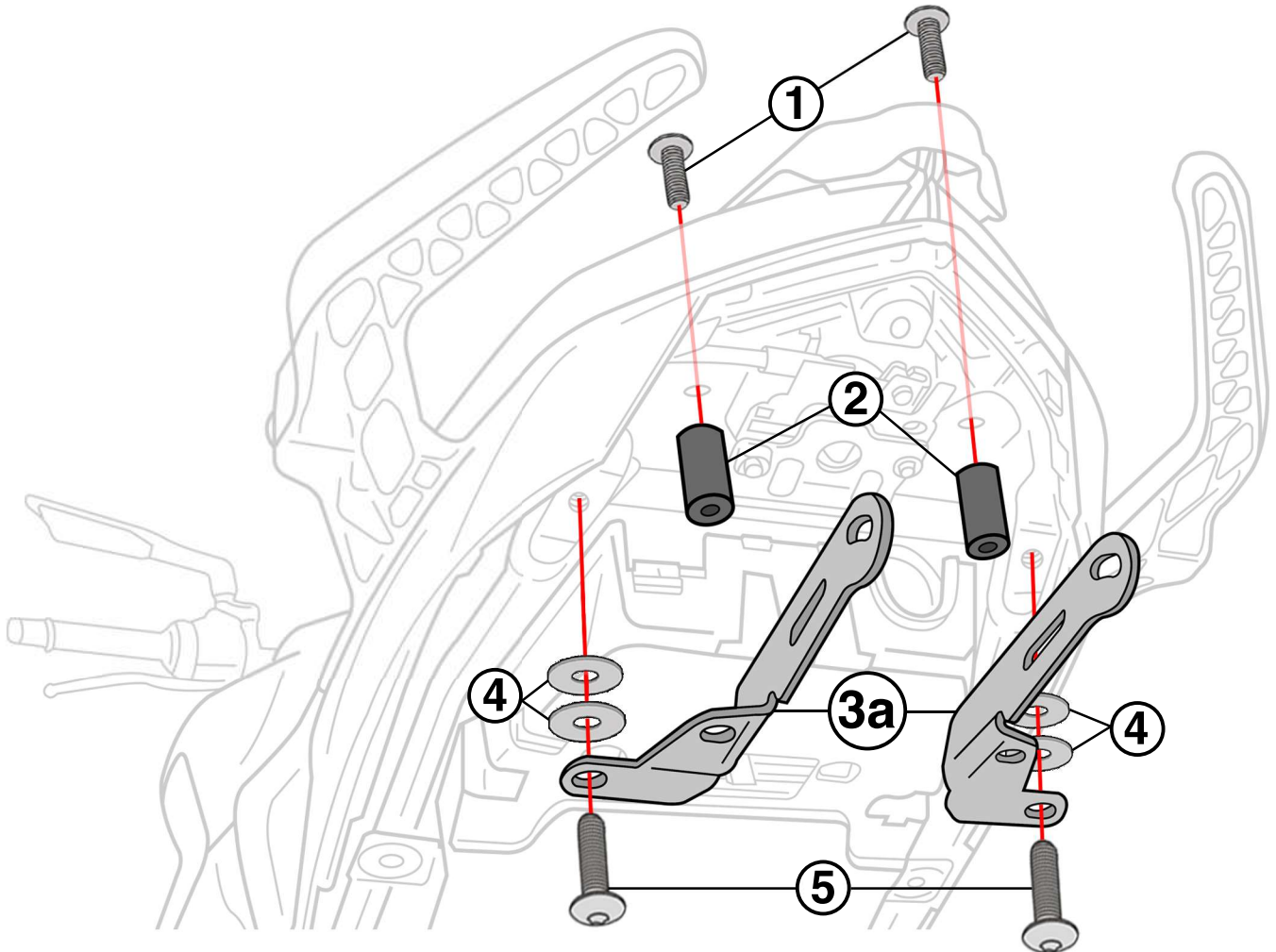
5. ALLEN SCREW M8X16
VITE A BRUGOLA M8X16
TORNILLO ALLEN M8X16
INBUSSCHRAUBE M8X16
VIS ALLEN M8X16

2. THREADED THICKNESSES H.30
SPESORE FILETTATO H.30
ESPACIADOR ROSCADO H.30
GEWINDE ABSTAND H.30
ESPACEUR FILETE H.30

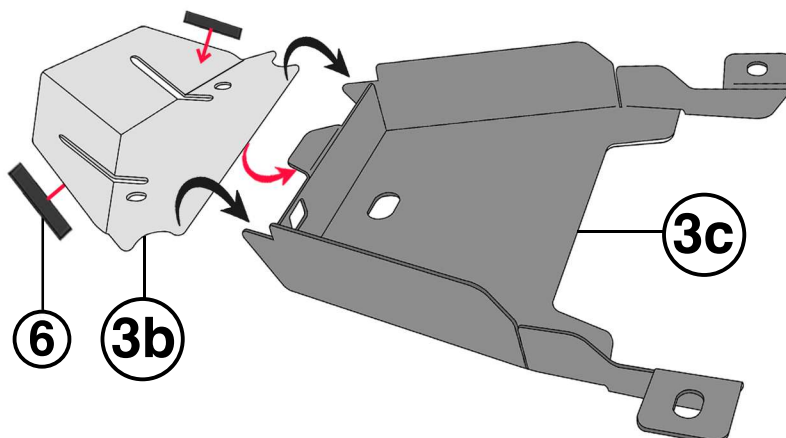
4. LARGE WASHERS Ø8
RONDELLE LARGA Ø8
ARANDELAS ANCHA Ø8
BREITE SCHEIBE Ø8
RONDELLE LARGE Ø8

6. NEOPRENE 40X10
NEOPRENE 40X10
NEOPRENO 40X10
NEOPREN 40X10
NEOPRENE 40X10

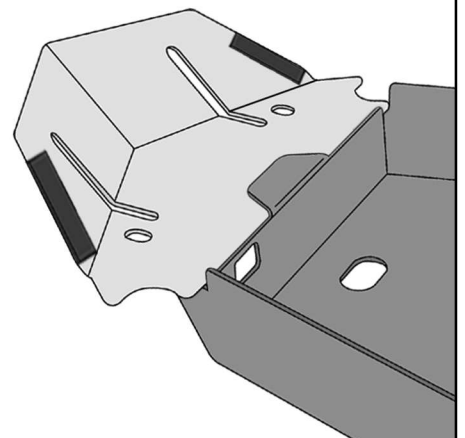
WWW.BARRACUDAMOTO.COM



FIT BRACKET "A" TO BRACKET "B" AS SHOWN AND THEN POSITION THE NEOPRENE STRIPS



THE RESULT SHOULD LOOK LIKE THIS



ASSEMBLING INSTRUCTION

LEGEND

WINDSHIELD KIT

BF9104-2-26

7. ORIGINAL INDICATORS
INDICATORI ORIGINALI
INDICADORES ORIGINALES
ORIGINALANZEIGEN
INDICATEURS D'ORIGINE

9. INDICATOR BRACKET
STAFFA INDICATORI
SOPORTE PARA INDICADORES
BLINKERHALTERUNG
SUPPORT DE CLIGNOTANTS

8. ZIGRINATED NUT
DADO ZIGRINATO
TUERCA ZIGRINADA
ZIGRINIESTE NUSS
NOIX ZIGRÉE

WWW.BARRACUDAMOTO.COM

